

INSTALLATION INSTRUCTIONS

57-2531

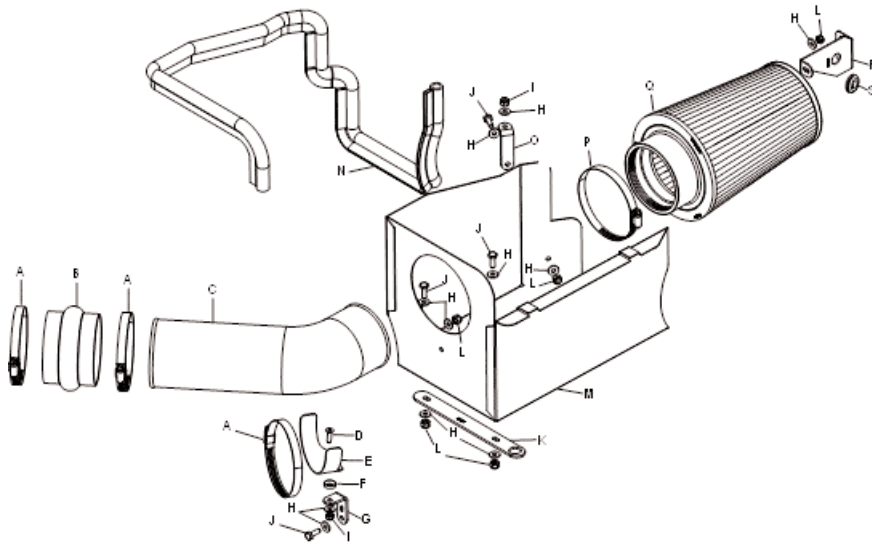
Ford

1994.5-1997 F250, F350 SuperDuty V8-7.3L Turbo Diesel Powerstroke

NOTE: This kit was not designed to fit vehicles with a body lift.

Tools

- 5/16" Wrench
- Flat blade screwdriver
- 4mm Allen wrench
- 10mm Wrench
- 7/16" Wrench
- Ratchet
- Short Extension
- 7/16 Socket



Parts list

Description	Qty.	P/N	Description	Qty.	P/N	Description	Qty.	P/N
A Hose clamp #64	3	08648	G Bracket, small "L"	1	08025	M Heat shield	1	07460
B Hump hose	1	08418	H Washer, 1/4"	11	08275	N Edge trim, 48"L	1	102485
C K&N intake tube	1	087043	I Nut, 6mm nylock	2	07553	O Bracket, medium "L"	1	07879
D Bolt, 6mm f/h/a	1	08376	J Bolt, 1/4 hexhead	4	08386	P Hose clamp #72	1	08671
E Saddle bracket	1	078855	K Bracket	1	26519	Q Air Filter	1	RC-4780
F Washer, conical	1	08180	L Nut, 1/4 nylock	5	07517	R Filter bracket	1	26518
						S Grommet	1	08167

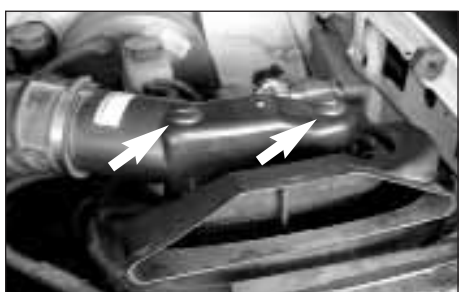
NOTE: FAILURE TO FOLLOW INSTALLATION INSTRUCTIONS AND NOT USING THE PROVIDED HARDWARE MAY DAMAGE THE INTAKE TUBE, THROTTLE BODY AND ENGINE.

TO START:

1. Turn the ignition OFF and disconnect the vehicle's negative battery cable.



2. Loosen and remove the bolt on the radiator core support, then remove the air inlet duct as shown.



3. Loosen the screws that secure the air cleaner top as shown. (see arrows)



4. Loosen the hose clamp at the turbo inlet tube, then remove the upper air cleaner assembly as shown.



5. To remove the air temperature sensor, turn the sensor 1/4 turn, then, pull the sensor out of the lower air cleaner assembly as shown.



6. Loosen the nut that secures the lower air cleaner assembly as shown.



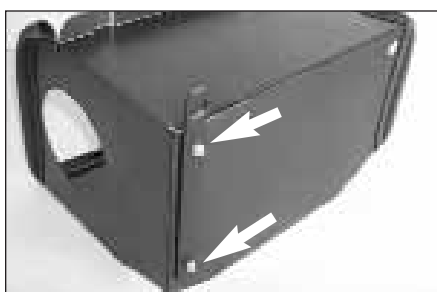
7. Pull firmly upwards to release the lower air cleaner assembly from the retaining grommets, then remove as shown.



8. Using a small flat blade screwdriver, release the Air Temperature Sensor retaining clips, then disconnect the electrical connection as shown.



9. Apply the provided trim seal to the K&N heat shield as shown.



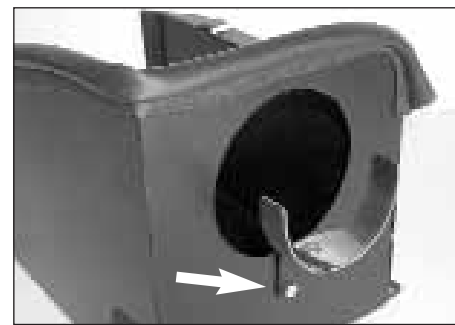
10. Using the provided hardware, install the straight bracket onto the bottom of the K&N heat shield as shown.



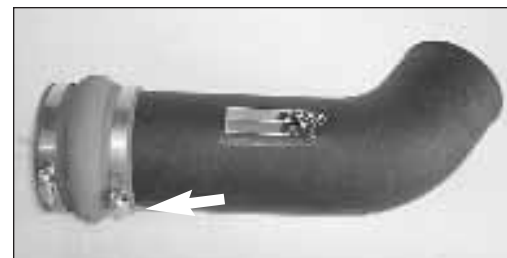
11. Using the provided hardware, install the large "L" bracket onto the K&N heat shield as shown.



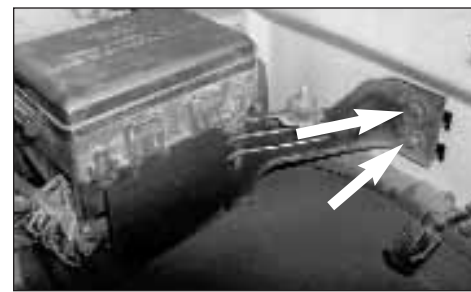
12. Assemble the small "L" bracket and the saddle bracket using the hardware provided as shown.



13. Install the saddle bracket assembly onto the K&N heat shield using the provided hardware as shown.



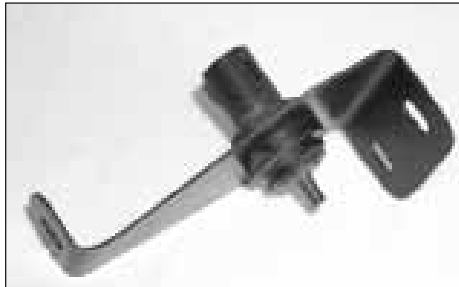
14. Install the silicone hump hose onto the K&N intake tube as shown and secure with the provided hose clamp.



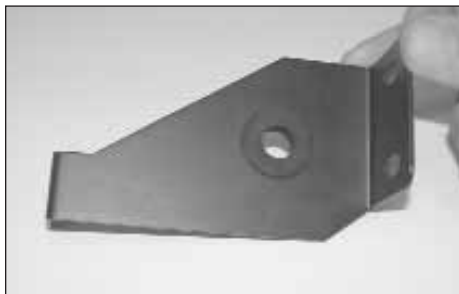
15. Loosen and remove the two bolts that secure the fuse box bracket to the inner fender as shown. (see arrows)



16. Remove the stock retaining nut on the air temperature sensor as shown.



17. Using the stock retaining nut removed in step 16, secure the air temperature sensor to the air filter support bracket as shown.



17a. Vehicles that come with twist in air temp sensor, install grommet (08167) into air filter support bracket as shown.



17b. Vehicles that come with twist in air temp sensor, install sensor into air filter support bracket as shown.



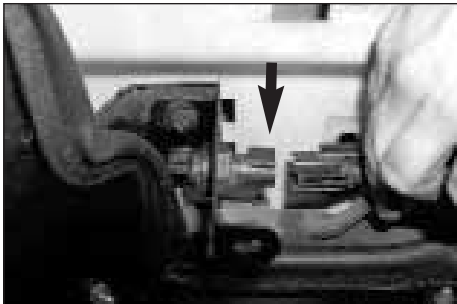
18. Install the stock rubber grommets from the lower air cleaner assembly into the K&N heat shield assembly as shown.



19. Install the K&N heat shield assembly and push the rubber grommets onto the stock locating pins, then, secure the "L" bracket to the original air cleaner rubber mounting stud using the provided washer and nylock nut.



20. Install the air filter support bracket onto the fuse box support bracket using the bolts removed in step 15.



21. Reconnect the air temperature sensor electrical connection as shown.



22. Install the K&N intake tube onto the turbo inlet tube and secure the hump hose with the provided hose clamp.

Note: Do not tighten completely as some adjustment may be necessary.

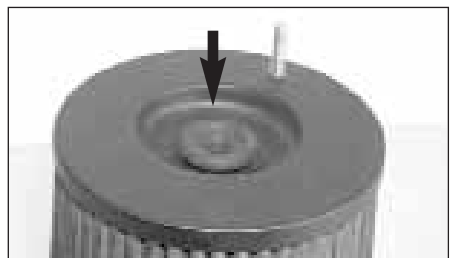


23. Secure the K&N intake tube to the saddle bracket with the provided hose clamp as shown.

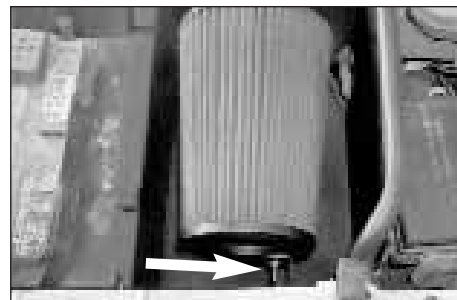
Note: Do not tighten completely as some adjustment may be necessary.



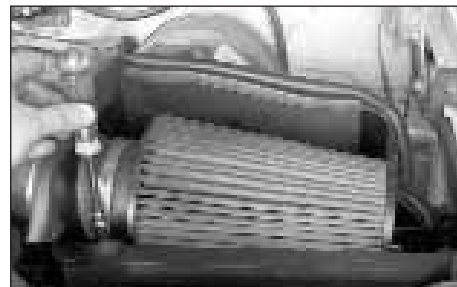
24. Remove the stock filter minder and the stock grommet from the stock air cleaner top as shown.



25. Install the grommet that was removed in step 24 into the hole on the top of the K&N air filter as shown.



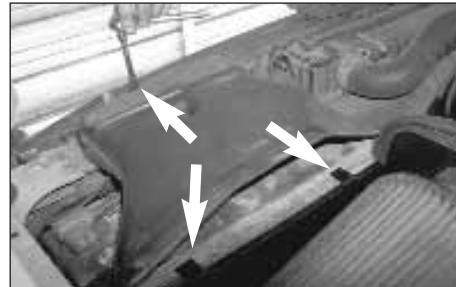
26. Install the K&N air filter onto the K&N intake tube, then, line up the stud on the filter with the air filter support bracket and secure with the provided hardware.



27. Tighten the hose clamp on the K&N air filter as shown.



28. Install the Filter minder into the grommet on the end of the filter as shown.



29. Slide the air inlet duct into the tabs on the K&N intake tube as shown, then, secure the air inlet duct to the original mounting point with the original hex bolt removed in step 2.



30. Reconnect the vehicles negative battery cable. Double check to make sure everything is tight and properly positioned before starting the vehicle.

31. The C.A.R.B. exemption sticker, (attached), must be visible under the hood, so that an emissions inspector can see it when the vehicle is required to be tested for emissions. California requires testing every two years, other states may vary.

32. It will be necessary for all F.I.P.K.'s to be checked periodically for realignment, clearance and tightening of all connections. Failure to follow the above instructions or proper maintenance may void warranty.

ROAD TESTING:

1. Start the engine with the transmission in neutral or park, and the parking brake engaged. Listen for air leaks or odd noises. For air leaks secure hoses and connections. For odd noises, find cause and repair before proceeding. This kit will function identically to the factory system except for being louder and much more responsive.

2. Test drive the vehicle. Listen for odd noises or rattles and fix as necessary.

3. If road test is fine, you can now enjoy the added power and performance from your kit.

IMPORTANT:

Service air filter according to the K&N cleaning instructions (99-5050) when the indicator on the restriction gauge is in the 50 to 65% range. Do not run the vehicle with the indicator above the 65% range, as damage to the air filter and or the engine could result.